

Lighting Collection

Travelling through



Travelling through



Index

Ducale collection	12	Flute - up version - pendant lamp - triple unit
	14	Flute - up version - pendant lamp - single unit
	18	Flute - up version - wall lamp
	22	Flute - up version - table lamp
	26	Flute - down version - pendant lamp - five units
	30	Flute - down version - pendant lamp - triple unit
	32	Flute - down version - pendant lamp - single unit
	36	Flute - down version - wall lamp
	40	Sphera - up version - triple unit
	42	Sphera - up version - single unit
	46	Sphera - up version - wall lamp
	50	Sphera - down version - five units
54	Sphera - down version - triple unit	
56	Sphera - down version - single unit	
60	Sphera - down version - wall lamp	
Stradivari collection	68	Pendant Lamp - triple unit
	72	Pendant Lamp - single unit
	76	Wall Lamp - double unit
	80	Wall Lamp - single unit
	84	Table Lamp
Moon collection	94	Pendant Lamp - five units
	98	Pendant Lamp - triple unit
	102	Pendant Lamp - double unit
	104	Wall Lamp
	108	Table Lamp
Edge collection	116	Pendant Lamp - triple unit - horizontal version
	118	Pendant Lamp - triple unit - vertical version
	120	Pendant Lamp - double unit - horizontal version
	122	Pendant Lamp - double unit - vertical version
	124	Pendant Lamp - single unit - horizontal version
	128	Pendant Lamp - single unit - vertical version
	132	Wall Lamp - flat version
	136	Wall Lamp - big version
	138	Wall Lamp - small version
	140	Table Lamp with lampshade
144	Table Lamp	
148	Floor Lamp	
Antonina collection	156	Floor Read Lamp
	160	Floor Lamp
	164	Table Lamp - up version
	166	Table Lamp - down version
	170	Wall Lamp

Oasis offers so much more than a selection of furniture. Indeed, the company aims to propose a complete and coordinated interior design, inspired by an idea: the beauty of 1900. Nevertheless Oasis also looks at the decades of great Italian design and architecture to capture the secret of blending different raw materials in a new, unique and universal design.



Oasis, a story in time



1908

Floriano Quaia opens his first carpentry workshop: a small studio where furniture is made with the aim of lasting a lifetime.



1945

Bernardo Quaia, son of Floriano, sets down the foundations of a company where the first pieces of decorative furniture would later be developed.



1972

Francesco, Bernardo's son, builds a factory and creates - using his surname - an actual brand. Together with his brother Floriano, he sets up Arredamenti Quaia.



1980

Arredamenti Quaia participates in the Salone del Mobile, Milan for the very first time. The accompanying burst of innovation marks a turning point for the company which sets its sights on ever broader horizons.



1984

During the flurry of the Eighties, Francesco Quaia establishes the Oasis brand, branching out into the production of bathroom furniture which thereafter becomes part of the company offer.

2012

The Home line is completely revised and relaunched with the aim of offering, under the Oasis label, a complete and coordinated luxury interiors package inspired by the language of cosmopolitan and contemporary style.



The New Millennium

At the turn of the Millennium, an impetus of change, of fresh new ideas, sweeps through the company in the form of the next generation, Francesco's three children: Francesca, Federica and Lorenzo.



Nowadays

The company is a century-old family business characterised by courage, tradition and a strong identity. It has market presence in more than 25 countries, the main ones being: Russia, Ukraine, the United Kingdom, Germany, France, Switzerland, Belgium and the United States. The Oasis production portfolio includes a wide range of furniture collections for the Home, the Bathroom and the Contract industry for the construction of projects for both residential and professional purposes.

2013

The year sees monobrand flagship showrooms opening in both London and Hong Kong.

The future of italian know-how.

There is only one area of Italy where the air can blow in from foreign lands, that place is Friuli. And along with that wind comes history, style and certain ways of thinking. It is here that the story of Oasis began, the result of a refined and eclectic merging of different cultures, civilisations, languages and cuisines often referred to around the world as "Italian style".

Francesca Quaia

The eldest, Francesca, is the first to work alongside her father in the business. By assuming responsibility in 2001 for the commercial direction of the company, is pivotal in steering it along the road to internationalisation.

Federica Quaia

Second daughter Federica, having specialised in the worldwide branding of luxury goods, takes over all aspects of image and communication within the company in 2006, thus assuming marketing and artistic control.

Lorenzo Quaia

Third-born Lorenzo completes the transition to the fourth generation in 2008. Specialising in project research and development as well as highly technical products, he becomes head of the technical production division.

Nestled among the Friulian hills, in the North East of Italy, just 100 km away from Venice, there is the village of Polcenigo. Here, more than 100 years ago,

Oasis was born and here it still has its headquarters. The company is owned by the Quaia family, who have been leading it with passion and pride for four generations. Strategic success has been achieved by combining a clear corporate identity with the experience of a strong Italian manufacturing tradition coupled with ambitious, daring choices for future developments.

Oasis offers a broad range of furniture collections for Home and Bathroom environments, all 100% hand-made in Italy, and representing coordinated interior design solutions.

The Project Division was created specially to provide for the specific, bespoke requirements of hospitality and commercial projects.

The company's traditional approach along with a keen eye for quality and fine materials, and the use of cutting-edge technologies are the features which ensure maximum production flexibility.

Characterised by a combination of metal structures and shades in a choice of decorative or smooth crystal, Ducale boasts two very distinct personalities: “Flute” for a more contemporary look and “Sphera” which is more classical in style.

Ducale Collection

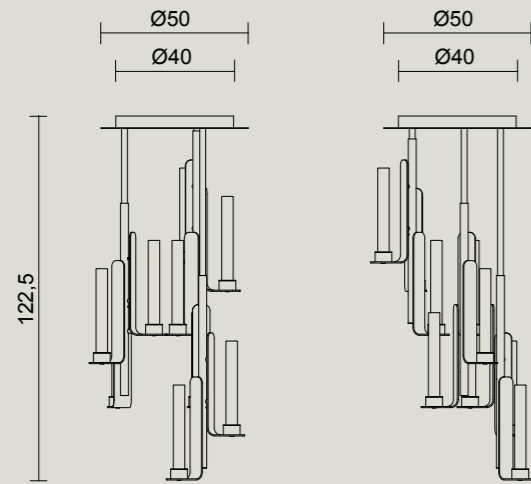


Ducale flute

UP VERSION
pendant lamp / triple unit



Technical data



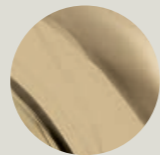
Finishes



Gold Metal



Chrome Metal



Bronze Metal



"Rhombus"
Decorative Glass



"Kube"
Decorative Glass



"Smooth"
Decorative Glass

Structure

Metal structure available in different finishes.
Lamp diffuser in decorative glass.
Integrated LED lighting.

Technical Specifications

LED lighting:
9 x 5 W
3.000 K
220 / 230 V
IP 44

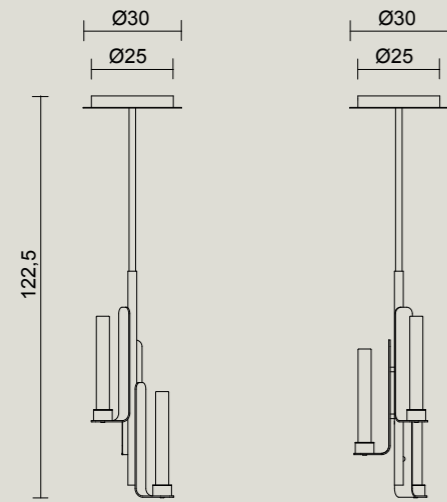


Ducale flute

UP VERSION
pendant lamp / single unit



Technical data



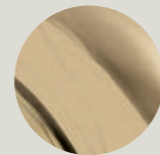
Finishes



Gold Metal



Chrome Metal



Bronze Metal



"Rhombus"
Decorative Glass



"Kube"
Decorative Glass



"Smooth"
Decorative Glass

Structure

Metal structure available in different finishes.
Lamp diffuser in decorative glass.
Integrated LED lighting.

Technical Specifications

LED lighting:
3 x 5 W
3.000 K
220 / 230 V
IP 44





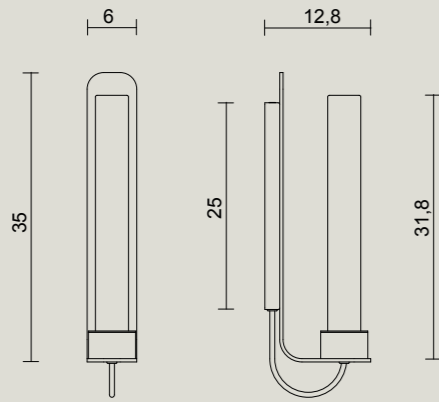
Ducale flute

UP VERSION

wall lamp



Technical data



Finishes



Gold Metal



Chrome Metal



Bronze Metal



"Rhombus"
Decorative Glass



"Kube"
Decorative Glass



"Smooth"
Decorative Glass

Structure

Metal structure available in different finishes.
Lamp diffuser in decorative glass.
Integrated LED lighting.

Technical Specifications

LED lighting:
1 x 5 W
3.000 K
220 / 230 V
IP 44





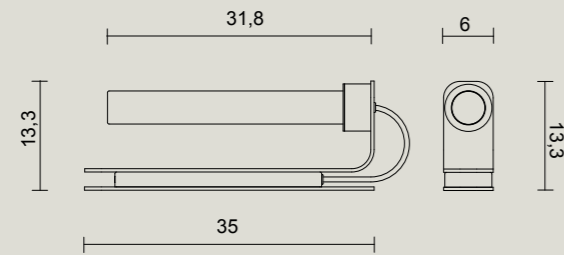
Ducale flute

UP VERSION

table lamp



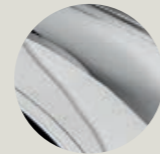
Technical data



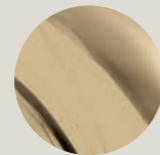
Finishes



Gold Metal



Chrome Metal



Bronze Metal



"Rhombus"
Decorative Glass



"Kube"
Decorative Glass



"Smooth"
Decorative Glass

Structure

Metal structure available in different finishes.
Lamp diffuser in decorative glass.
Integrated LED lighting.

Technical Specifications

LED lighting:
1 x 5 W
3.000 K
220 / 230 V
IP 44





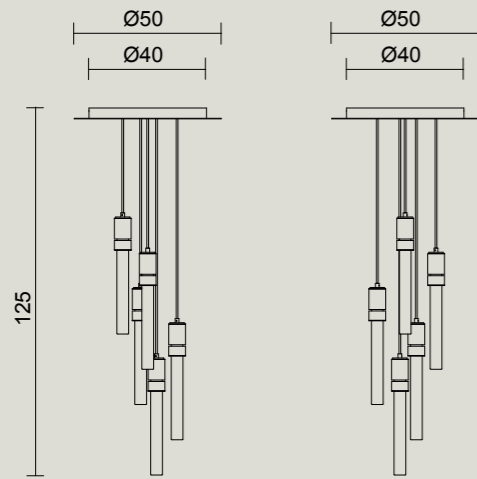
Ducale flute

DOWN VERSION

pendant lamp / five units



Technical data



Finishes



Gold Metal



Chrome Metal



Bronze Metal



"Rhombus"
Decorative Glass



"Kube"
Decorative Glass



"Smooth"
Decorative Glass

Structure

Metal structure available in different finishes.
Lamp diffuser in decorative glass.
Integrated LED lighting.

Technical Specifications

LED lighting:
5 x 5 W
3.000 K
220 / 230 V
IP 44





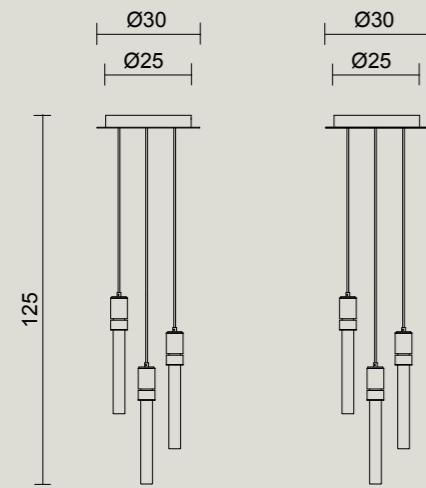
Ducale flute

DOWN VERSION

pendant lamp / triple unit



Technical data



Finishes



Gold Metal



Chrome Metal



Bronze Metal



"Rhombus"
Decorative Glass



"Kube"
Decorative Glass



"Smooth"
Decorative Glass

Structure

Metal structure available in different finishes.
Lamp diffuser in decorative glass.
Integrated LED lighting.

Technical Specifications

LED lighting:
3 x 5 W
3.000 K
220 / 230 V
IP 44



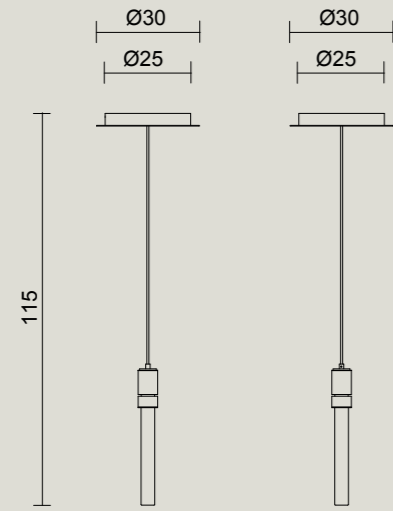
Ducale flute

DOWN VERSION

pendant lamp / single unit



Technical data



Finishes



Gold Metal



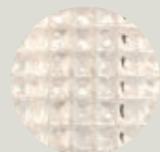
Chrome Metal



Bronze Metal



"Rhombus"
Decorative Glass



"Kube"
Decorative Glass



"Smooth"
Decorative Glass

Structure

Metal structure available in different finishes.
Lamp diffuser in decorative glass.
Integrated LED lighting.

Technical Specifications

LED lighting:
1 x 5 W
3.000 K
220 / 230 V
IP 44





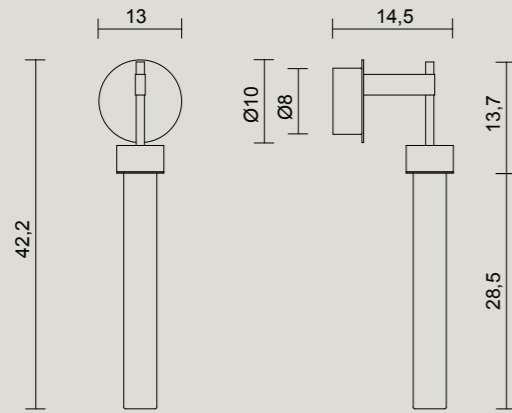
Ducale flute

DOWN VERSION

wall lamp



Technical data



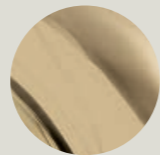
Finishes



Gold Metal



Chrome Metal



Bronze Metal



"Rhombus"
Decorative Glass



"Kube"
Decorative Glass



"Smooth"
Decorative Glass

Structure

Metal structure available in different finishes.
Lamp diffuser in decorative glass.
Integrated LED lighting.

Technical Specifications

LED lighting:
1 x 5 W
3.000 K
220 / 230 V
IP 44





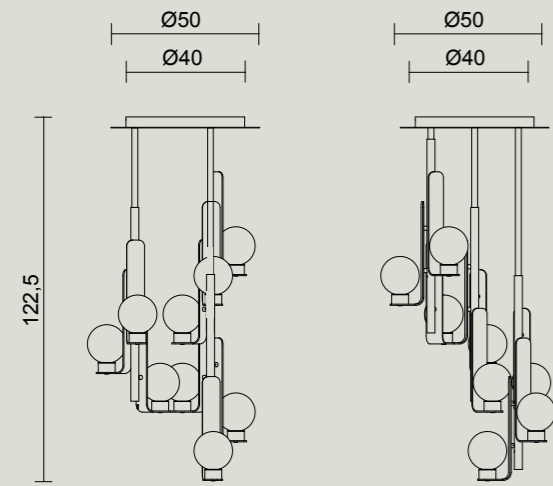
Ducale sfera

UP VERSION

pendant lamp / triple unit



Technical data



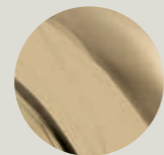
Finishes



Gold Metal



Chrome Metal



Bronze Metal



"Rhombus"
Decorative Glass



"Smooth"
Decorative Glass

Structure

Metal structure available in different finishes.
Lamp diffuser in decorative glass.
Integrated LED lighting.

Technical Specifications

LED lighting:
9 x 5 W
3.000 K
220 / 230 V
IP 44



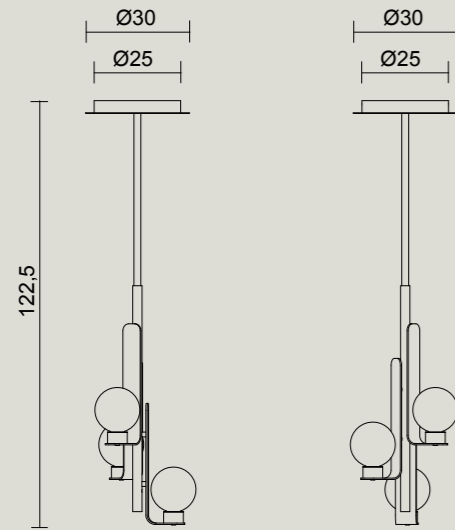
Ducale sphaera

UP VERSION

pendant lamp / single unit



Technical data



Finishes



Gold Metal



Chrome Metal



Bronze Metal



"Rhombus"
Decorative Glass



"Smooth"
Decorative Glass

Structure

Metal structure available in different finishes.
Lamp diffuser in decorative glass.
Integrated LED lighting.

Technical Specifications

LED lighting:
3 x 5 W
3.000 K
220 / 230 V
IP 44





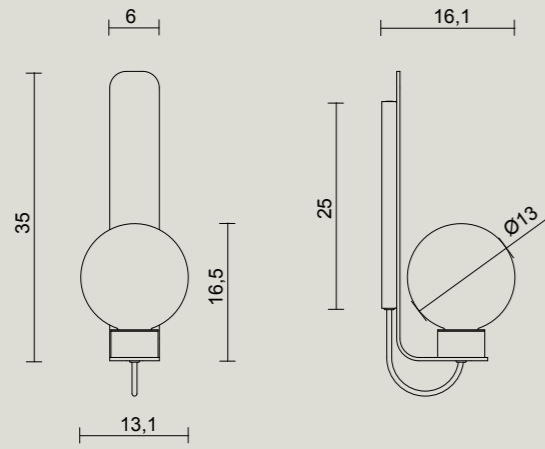
Ducale sfera

UP VERSION

wall lamp



Technical data



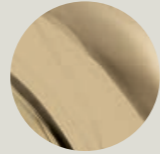
Finishes



Gold Metal



Chrome Metal



Bronze Metal



"Rhombus"
Decorative Glass



"Smooth"
Decorative Glass

Structure

Metal structure available in different finishes.
Lamp diffuser in decorative glass.
Integrated LED lighting.

Technical Specifications

LED lighting:
1 x 5 W
3.000 K
220 / 230 V
IP 44





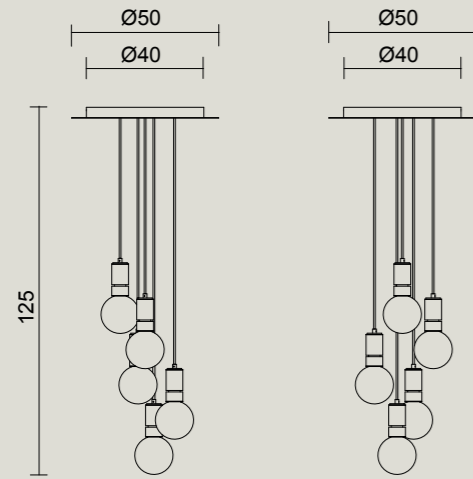
Ducale sphaera

DOWN VERSION

pendant lamp / five units



Technical data



Finishes



Gold Metal



Chrome Metal



Bronze Metal



"Rhombus"
Decorative Glass



"Smooth"
Decorative Glass

Structure

Metal structure available in different finishes.
Lamp diffuser in decorative glass.
Integrated LED lighting.

Technical Specifications

LED lighting:
5 x 5 W
3.000 K
220 / 230 V
IP 44





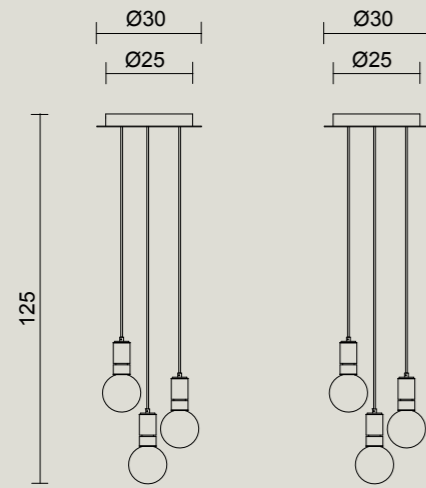
Ducale sfera

DOWN VERSION

pendant lamp / triple unit



Technical data



Finishes



Gold Metal



Chrome Metal



Bronze Metal



"Rhombus"
Decorative Glass



"Smooth"
Decorative Glass

Structure

Metal structure available in different finishes.
Lamp diffuser in decorative glass.
Integrated LED lighting.

Technical Specifications

LED lighting:
3 x 5 W
3.000 K
220 / 230 V
IP 44



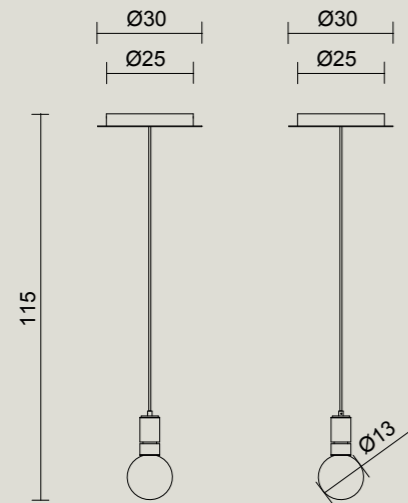
Ducale sphaera

DOWN VERSION

pendant lamp / single unit



Technical data



Finishes



Gold Metal



Chrome Metal



Bronze Metal



"Rhombus"
Decorative Glass



"Smooth"
Decorative Glass

Structure

Metal structure available in different finishes.
Lamp diffuser in decorative glass.
Integrated LED lighting.

Technical Specifications

LED lighting:
1 x 5 W
3.000 K
220 / 230 V
IP 44





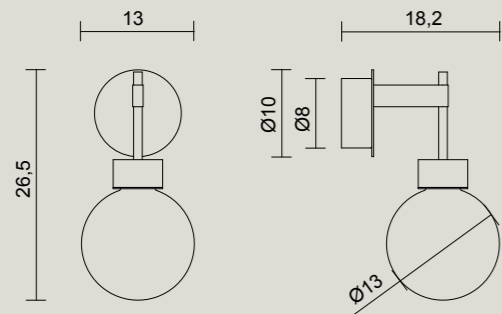
Ducale sphaera

DOWN VERSION

wall lamp



Technical data



Finishes



Gold Metal



Chrome Metal



Bronze Metal



"Rhombus"
Decorative Glass



"Smooth"
Decorative Glass

Structure

Metal structure available in different finishes.
Lamp diffuser in decorative glass.
Integrated LED lighting.

Technical Specifications

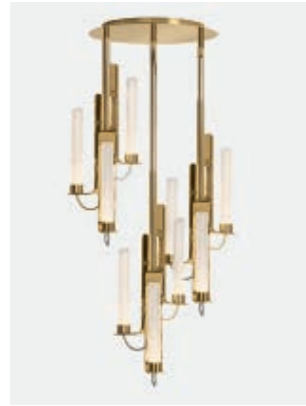
LED lighting:
1 x 5 W
3.000 K
220 / 230 V
IP 44





Ducale flute collection

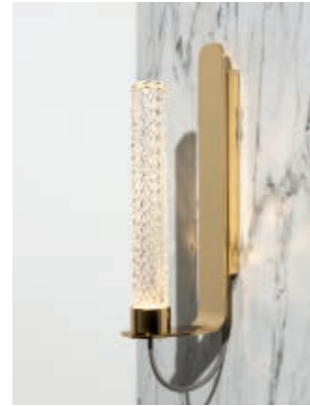
UP VERSION
pendant lamp / triple unit



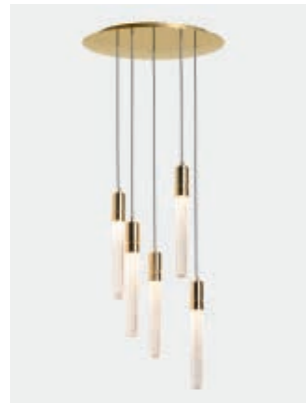
UP VERSION
pendant lamp / single unit



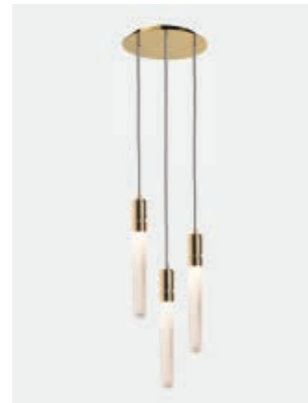
UP VERSION
wall lamp



DOWN VERSION
pendant lamp / five units



DOWN VERSION
pendant lamp / triple unit



DOWN VERSION
pendant lamp / single unit



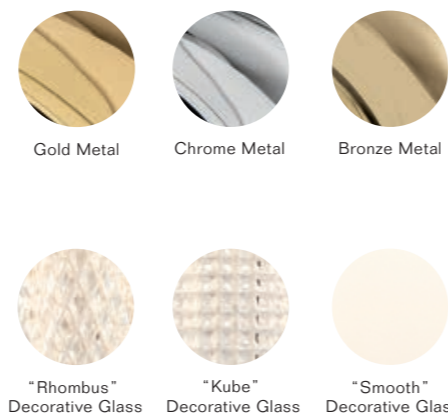
DOWN VERSION
wall lamp



UP VERSION
table lamp

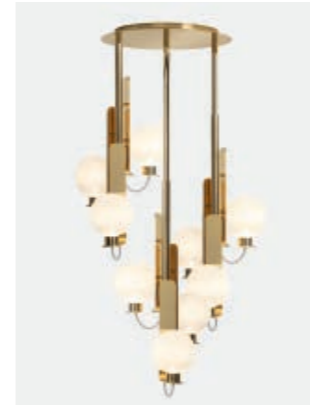


Finishes



Ducale sphaera collection

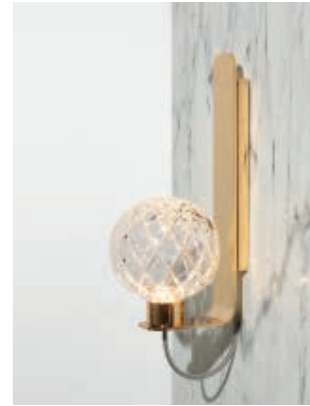
UP VERSION
pendant lamp / triple unit



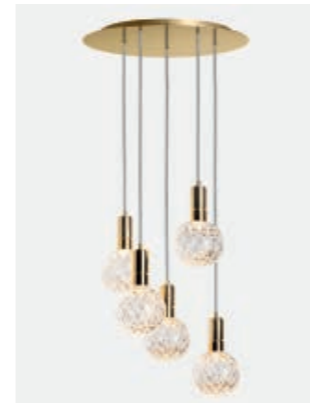
UP VERSION
pendant lamp / single unit



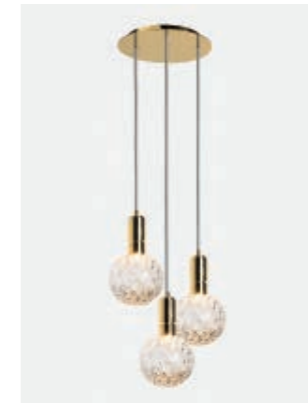
UP VERSION
wall lamp



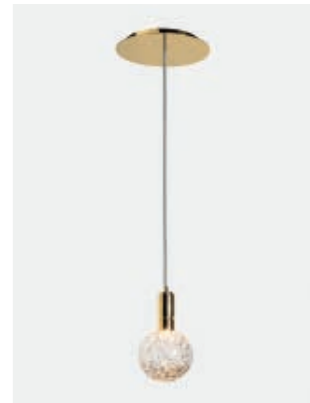
DOWN VERSION
pendant lamp / five units



DOWN VERSION
pendant lamp / triple unit



DOWN VERSION
pendant lamp / single unit



DOWN VERSION
wall lamp



Finishes



The idea behind Stradivari was to create a lamp with a bold form and strong personality embodying a style reminiscent of former times.

Stradivari Collection

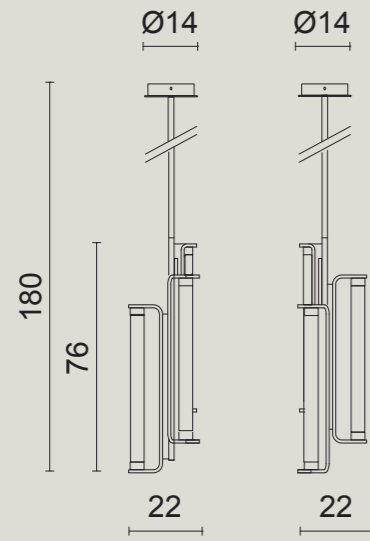


Stradivari

PENDANT LAMP
triple unit



Technical data



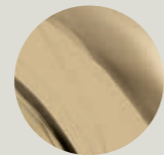
Finishes



Gold Metal



Chrome Metal



Bronze Metal



"Diamond"
Decorative Glass

Structure

Metal structure available in different finishes.
Lamp diffuser in decorative glass.
Integrated LED lighting.

Technical Specifications

LED lighting:
6 x 4 W
2.700 K
220 / 230 V
IP 20

Lamp prepared for dimmability.



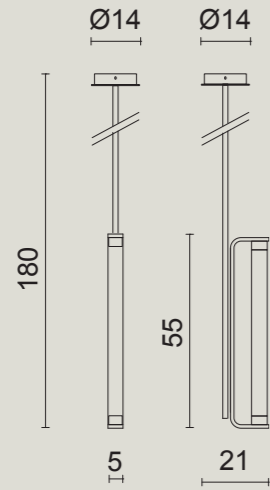


Stradivari

PENDANT LAMP
single unit



Technical data



Finishes



Gold Metal



Chrome Metal



Bronze Metal



"Diamond"
Decorative Glass

Structure

Metal structure available in different finishes.
Lamp diffuser in decorative glass.
Integrated LED lighting.

Technical Specifications

LED lighting:
2 x 4 W
2.700 K
220 / 230 V
IP 20

Lamp prepared for dimmability.



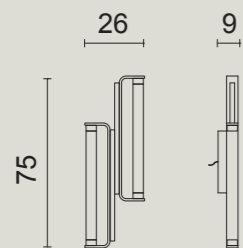


Stradivari

WALL LAMP
double unit



Technical data



Finishes



Gold Metal



Chrome Metal



Bronze Metal



"Diamond"
Decorative Glass

Structure

Metal structure available in different finishes.
Lamp diffuser in decorative glass.
Integrated LED lighting.

Technical Specifications

LED lighting:
4 x 4 W
2.700 K
220 / 230 V
IP 20

Lamp prepared for dimmability.



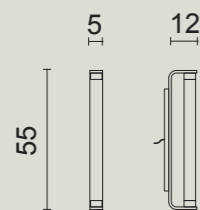


Stradivari

WALL LAMP
single unit



Technical data



Finishes



Gold Metal



Chrome Metal



Bronze Metal



"Diamond"
Decorative Glass

Structure

Metal structure available in different finishes.
Lamp diffuser in decorative glass.
Integrated LED lighting.

Technical Specifications

LED lighting:
2 x 4 W
2.700 K
220 / 230 V
IP 20

Lamp prepared for dimmability.



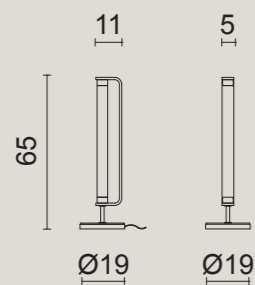


Stradivari

TABLE LAMP



Technical data



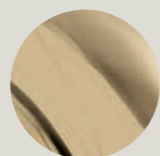
Finishes



Gold Metal



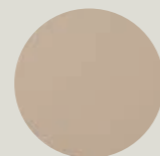
Chrome Metal



Bronze Metal



"Diamond"
Decorative Glass



Bronze Mirror

Structure

Metal structure available in different finishes.
Lamp diffuser in decorative glass.
Integrated LED lighting.

Technical Specifications

LED lighting:
2 x 4 W
2.700 K
220 / 230 V
IP 20

Dimmable lamp.







Dimmable lamp
Different steps of regulation.



Stradivari collection

pendant lamp / triple unit



pendant lamp / single unit



wall lamp / double unit



wall lamp / single unit



table lamp



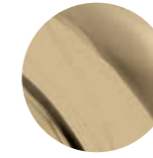
Finishes



Gold Metal



Chrome Metal



Bronze Metal



"Diamond"
Decorative Glass



Bronze Mirror

Antique gold and decorated diffuser characterise the collection of Moon lamps, simple and essential but at the same time rich in atmosphere, real sculptures diffusing a warm light into the ambient.

Moon Collection

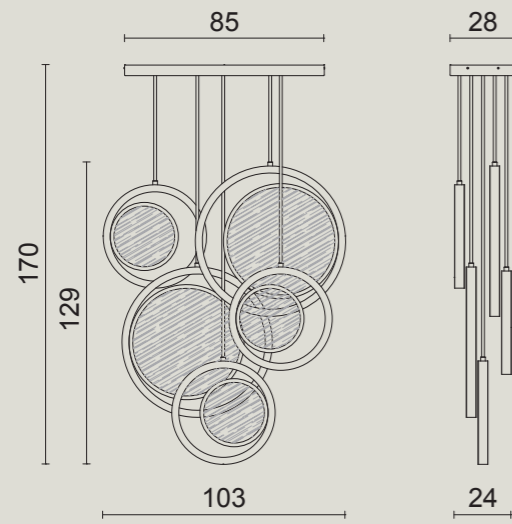


Moon

PENDANT LAMP
five units



Technical data



Finishes



Antique Gold



Hand made resin art texture

Structure

Aluminium structure with decorated diffuser.
Integrated LED lighting.

Technical Specifications

LED lighting:
170 W
2.700 K
220 / 230 V
IP 20



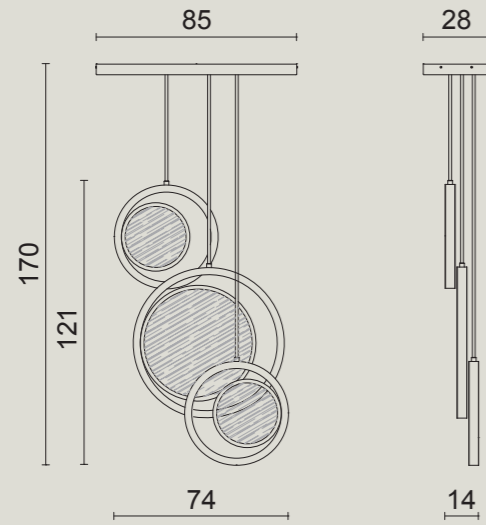


Moon

PENDANT LAMP
triple unit



Technical data



Finishes



Antique Gold



Hand made resin art texture

Structure

Aluminium structure with decorated diffuser.
Integrated LED lighting.

Technical Specifications

LED lighting:
84 W
2.700 K
220 / 230 V
IP 20



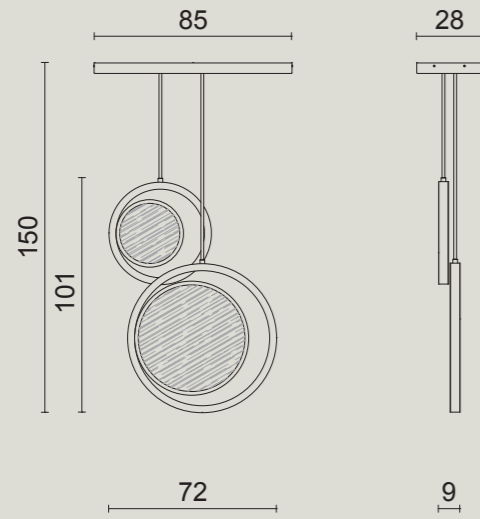


Moon

PENDANT LAMP
double unit



Technical data



Finishes



Antique Gold



Hand made resin art texture

Structure

Aluminium structure with decorated diffuser.
Integrated LED lighting.

Technical Specifications

LED lighting:
60 W
2.700 K
220 / 230 V
IP 20

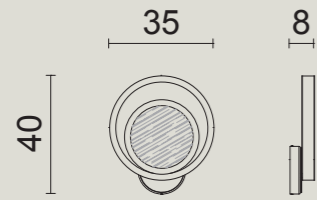


Moon

WALL LAMP



Technical data



Finishes



Antique Gold



Hand made resin art texture



Bronze Mirror

Structure

Aluminium structure with decorated diffuser.
Bronze mirror on back plate.
Integrated LED lighting.

Technical Specifications

LED lighting:
20 W
2.700 K
220 / 230 V
IP 20



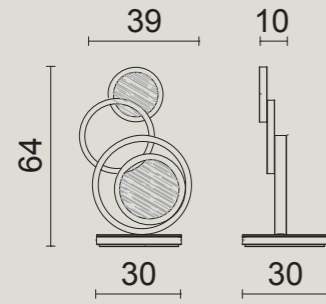


Moon

TABLE LAMP



Technical data



Finishes



Antique Gold



Hand made resin art texture



Bronze Mirror

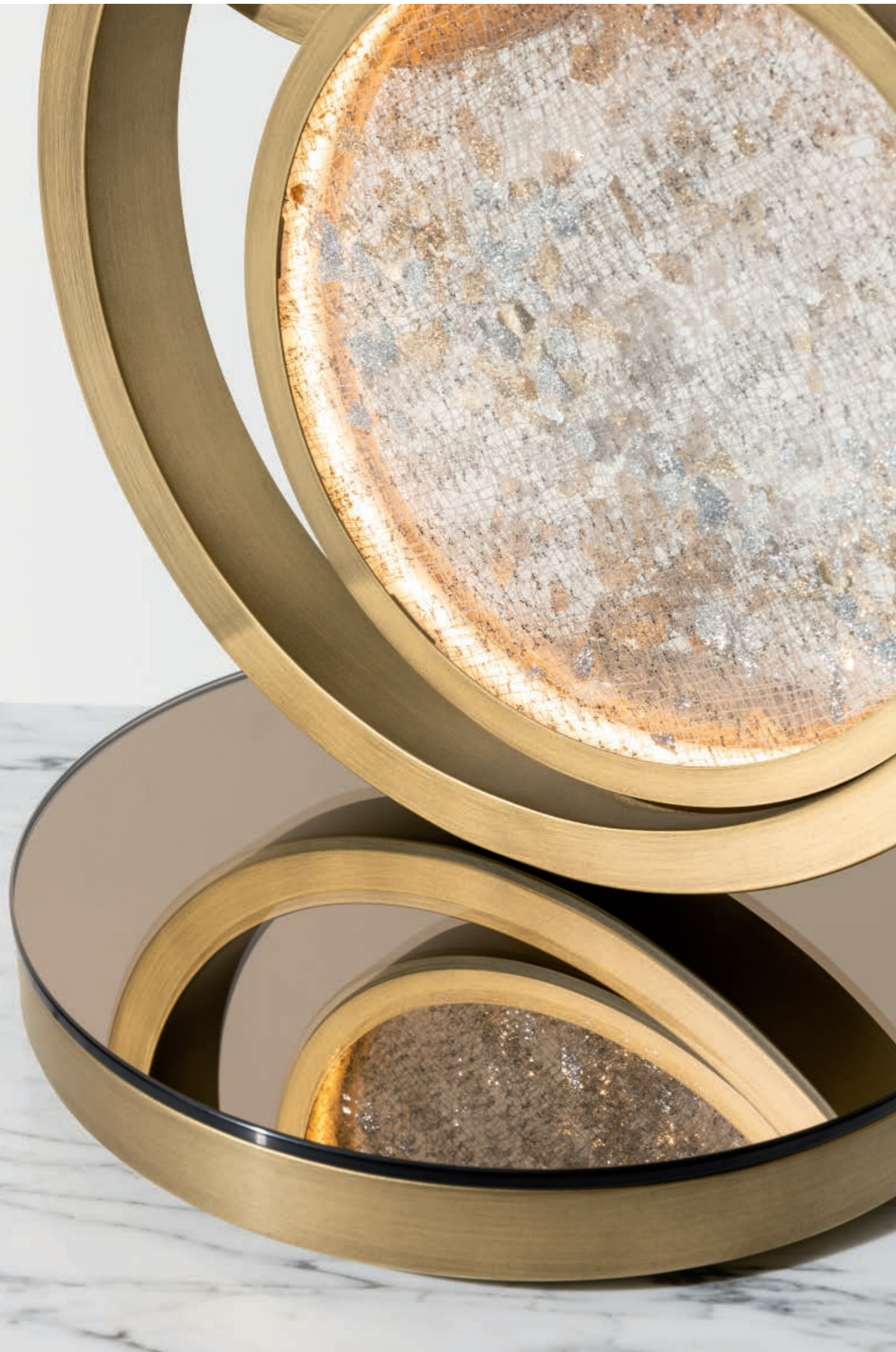
Structure

Aluminium structure with decorated diffuser.
Bronze mirror on base.
Integrated LED lighting.

Technical Specifications

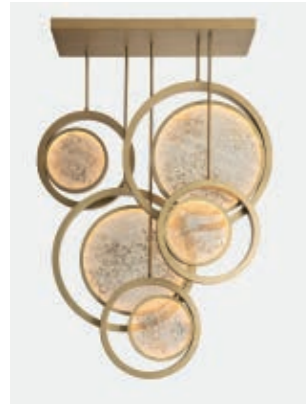
LED lighting:
35 W
2.700 K
220 / 230 V
IP 20



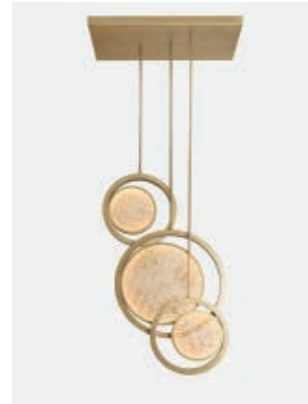


Moon collection

pendant lamp / five units



pendant lamp / triple unit



pendant lamp / double unit



Finishes



Antique Gold



Hand made resin art texture

wall lamp



table lamp



As a spatial evolution of a Mondrian painting, Edge is inspired by a modernist evolution of a sophisticated Art Déco, perfect to create attention in every ambient, evoking the suggestions of a discreet but perceptible affluence.

Edge Collection



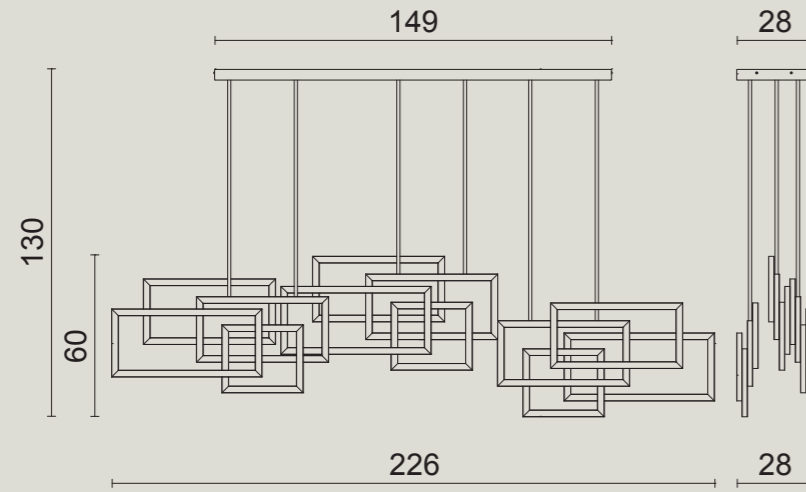
Edge

PENDANT LAMP

triple unit / horizontal version



Technical data



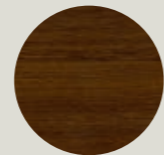
Finishes



Light Gold



Dark Gold



Walnut

Structure

Aluminium structure in three finishes.
Integrated LED lighting.

Technical Specifications

LED lighting:
264 W
2.700 K
220 / 230 V
IP 20

Lamp prepared for dimmability.

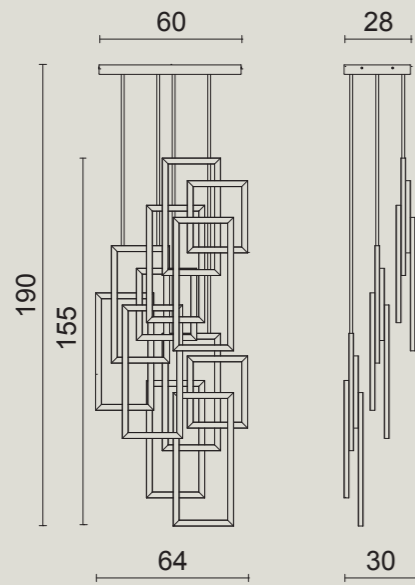


Edge

PENDANT LAMP
triple unit / vertical version



Technical data



Finishes



Light Gold



Dark Gold



Walnut

Structure

Aluminium structure in three finishes.
Integrated LED lighting.

Technical Specifications

LED lighting:
264 W
2.700 K
220 / 230 V
IP 20

Lamp prepared for dimmability.

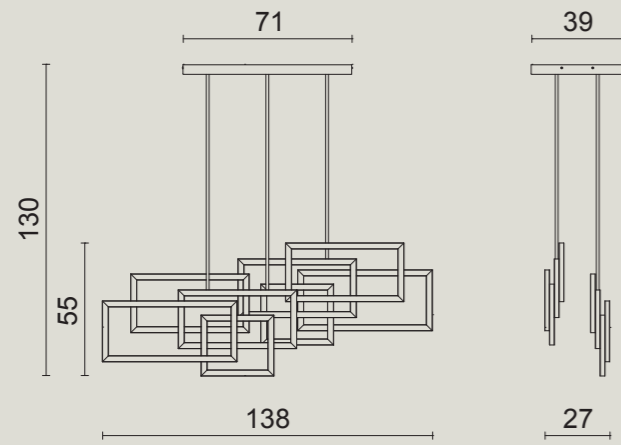


Edge

PENDANT LAMP
double unit / horizontal version



Technical data



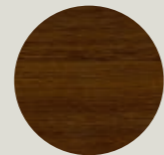
Finishes



Light Gold



Dark Gold



Walnut

Structure

Aluminium structure in three finishes.
Integrated LED lighting.

Technical Specifications

LED lighting:
176 W
2.700 K
220 / 230 V
IP 20

Lamp prepared for dimmability.



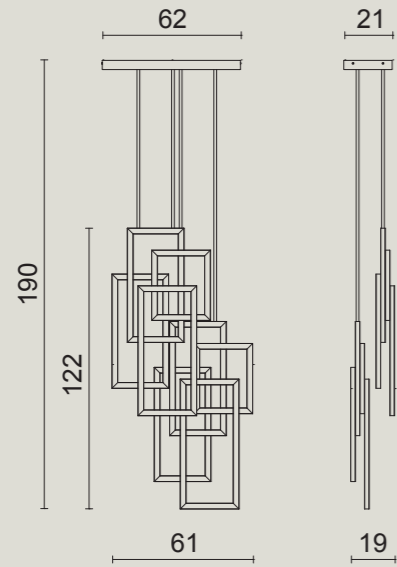
Edge

PENDANT LAMP

double unit / vertical version



Technical data



Finishes



Light Gold



Dark Gold



Walnut

Structure

Aluminium structure in three finishes.
Integrated LED lighting.

Technical Specifications

LED lighting:
176 W
2.700 K
220 / 230 V
IP 20

Lamp prepared for dimmability.



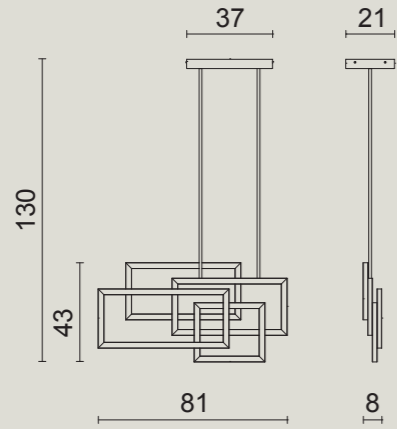
Edge

PENDANT LAMP

single unit / horizontal version



Technical data



Finishes



Light Gold



Dark Gold



Walnut

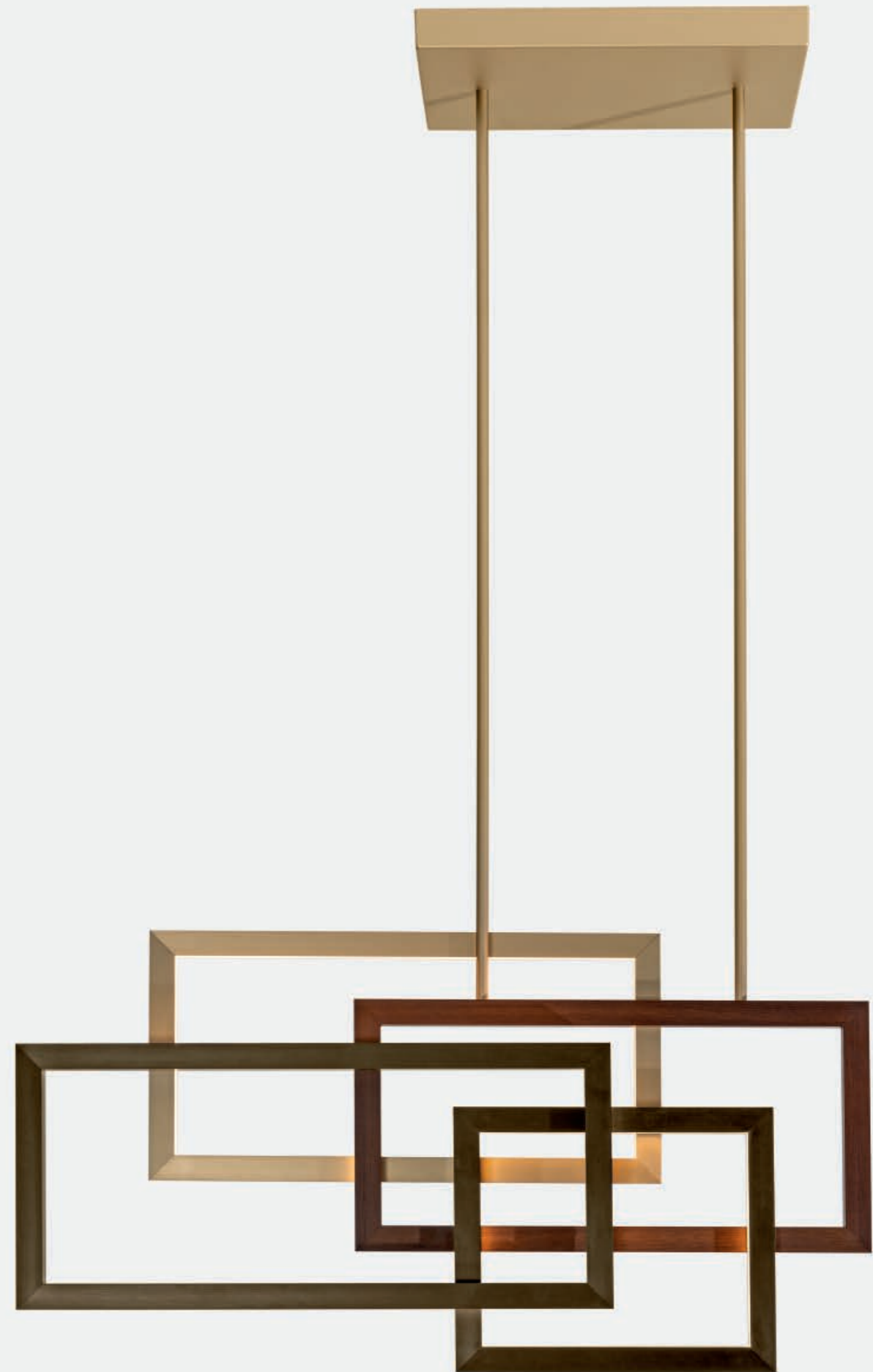
Structure

Aluminium structure in three finishes.
Integrated LED lighting.

Technical Specifications

LED lighting:
88 W
2.700 K
220 / 230 V
IP 20

Lamp prepared for dimmability.



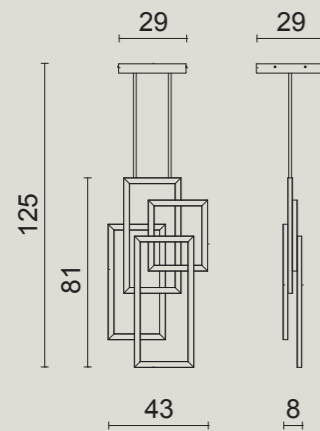


Edge

PENDANT LAMP
single unit / vertical version



Technical data



Finishes



Light Gold



Dark Gold



Walnut

Structure

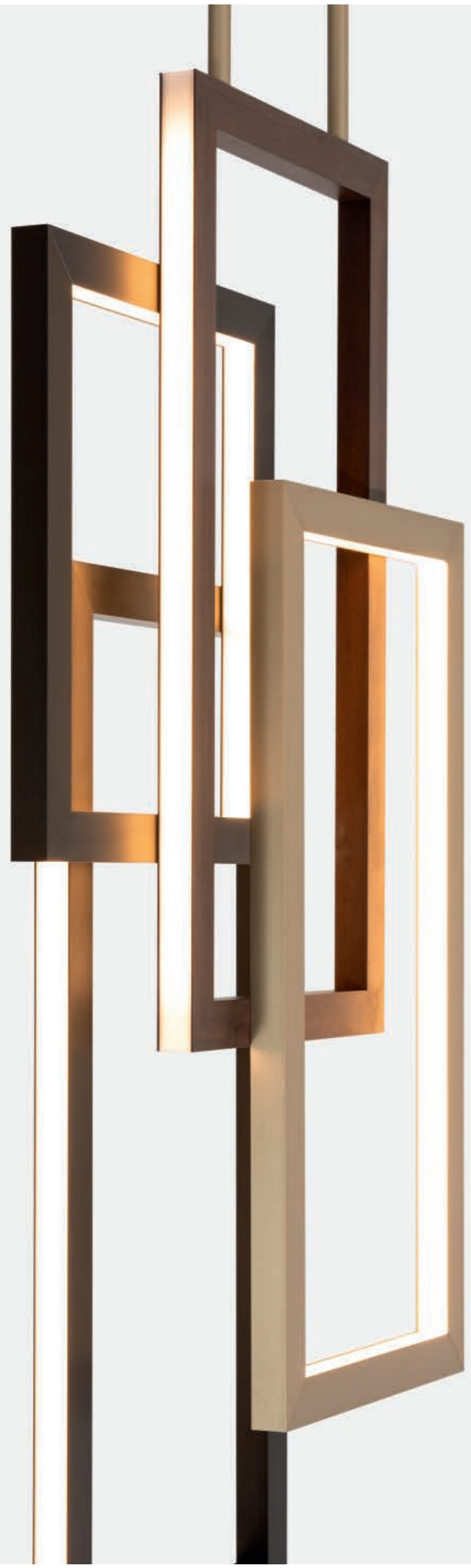
Aluminium structure in three finishes.
Integrated LED lighting.

Technical Specifications

LED lighting:
88 W
2.700 K
220 / 230 V
IP 20

Lamp prepared for dimmability.



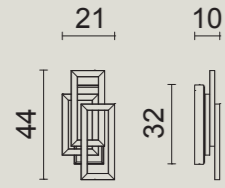


Edge

WALL LAMP
flat version



Technical data



Finishes



Light Gold



Dark Gold



Walnut

Structure

Aluminium structure in three finishes.
Integrated LED lighting.

Technical Specifications

LED lighting:
35 W
2.700 K
220 / 230 V
IP 44

Lamp prepared for dimmability.



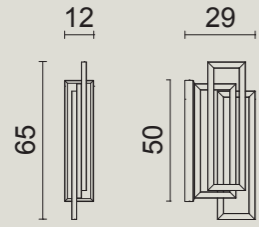


Edge

WALL LAMP
big version



Technical data



Finishes



Light Gold



Walnut

Structure

Aluminium structure in two finishes.
Integrated LED lighting.

Technical Specifications

LED lighting:
57 W
2.700 K
220 / 230 V
IP 44

Lamp prepared for dimmability.

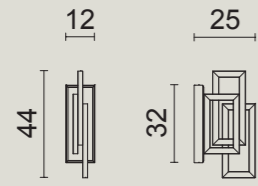


Edge

WALL LAMP
small version



Technical data



Finishes



Light Gold



Dark Gold



Walnut

Structure

Aluminium structure in three finishes.
Integrated LED lighting.

Technical Specifications

LED lighting:
35 W
2.700 K
220 / 230 V
IP 44

Lamp prepared for dimmability.

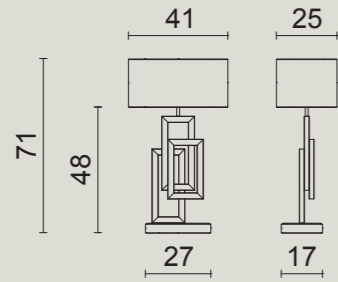


Edge

TABLE LAMP
with lampshade



Technical data



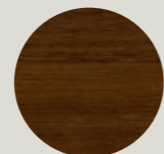
Finishes



Light Gold



Dark Gold



Walnut



White Cotton



Dark Brown Satin

Structure

Aluminium structure in three finishes.
Integrated LED lighting.

Lampshade

Lampshade in cotton and satin edge.

Technical Specifications

LED lighting:

35 W
2.700 K
220 / 230 V
IP20

Bulb:

1 x max 7 W E26
Suitable for LED or halogen
energy saving bulb.

Dimmable lamp.



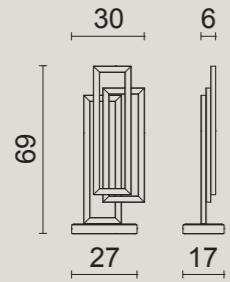


Edge

TABLE LAMP



Technical data



Finishes



Light Gold



Walnut

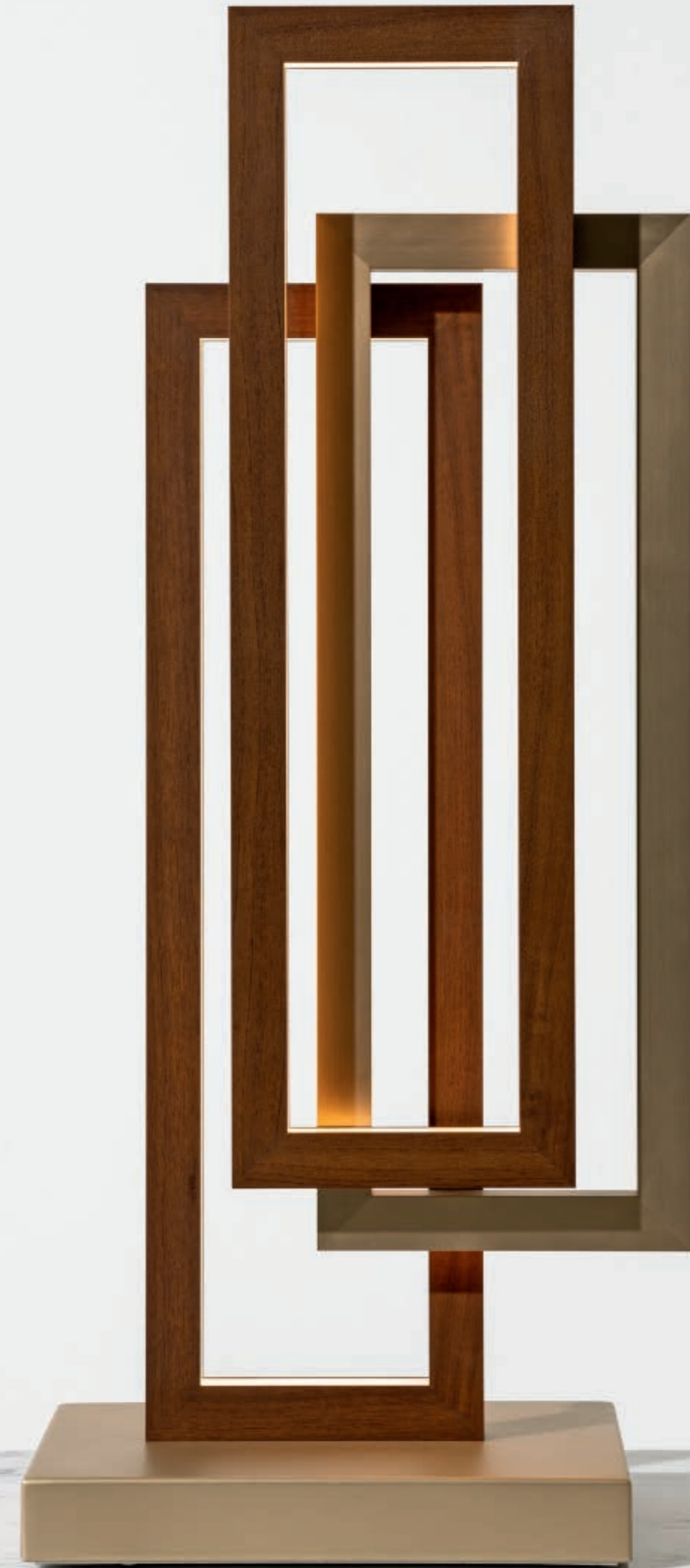
Structure

Aluminium structure in two finishes.
Integrated LED lighting.

Technical Specifications

LED lighting:
64 W
2.700 K
220 / 230 V
IP 40

Dimmable lamp.

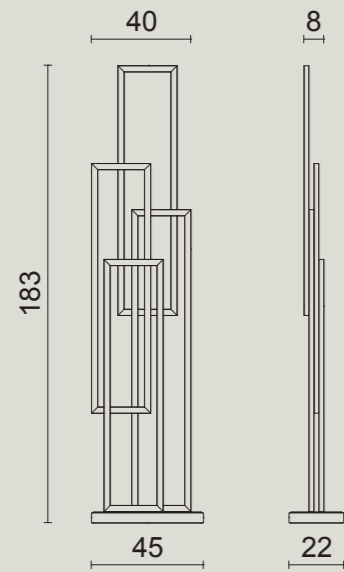




Edge FLOOR LAMP



Technical data



Finishes



Light Gold



Dark Gold



Walnut

Structure

Aluminium structure in three finishes.
Integrated LED lighting.

Technical Specifications

LED lighting:
110 W
2.700 K
220 / 230 V
IP 40

Dimmable lamp.





150



151

Edge collection

pendant lamp / triple unit
horizontal version



pendant lamp / triple unit
vertical version



pendant lamp / double unit
horizontal version



table lamp
with lampshade



table lamp



floor lamp



pendant lamp / double unit
vertical version



pendant lamp / single unit
horizontal version



pendant lamp / single unit
vertical version



wall lamp
flat version



wall lamp
big version



wall lamp
small version



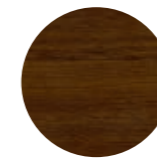
Finishes



Light Gold



Dark Gold



Walnut



White Cotton



Dark Brown Satin

The Antonina collection was born of the desire to combine contemporary tastes with a unique and original design, recognisable by diverse material combinations such as walnut, bronze metal, glass and leather, all brought together with exquisite master craftsmanship.

Antonina Collection



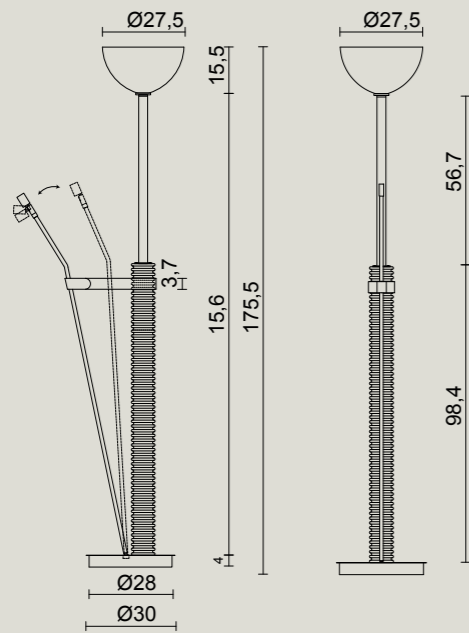
Antonina

FLOOR READ LAMP

design by Federico Peri



Technical data



Finishes



Bronze Metal



Walnut Wood



"Opaline"
Glass

Structure

Base in bronze metal finish.
Diffuser in opaline glass. Integrated LED lighting.
Stem in walnut wood and bronze metal finish.
Read lamp in bronze metal finish with LED.

Technical Specifications

LED lighting:
12 W
3.000 K
220 / 230 V
IP 20

Dimmable lamp.

Read Lamp with LED lighting:
4 W
3.000 K
220 / 230 V
IP 20

Lamp prepared for dimmability.





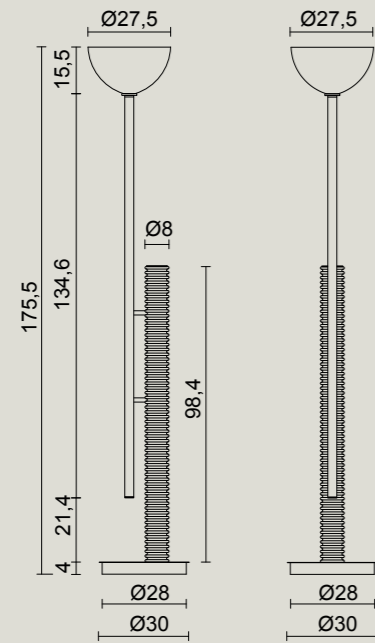
Antonina

FLOOR LAMP

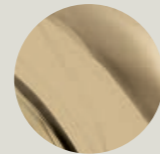
design by Federico Peri



Technical data



Finishes



Bronze Metal



Walnut Wood



"Opaline"
Glass

Structure

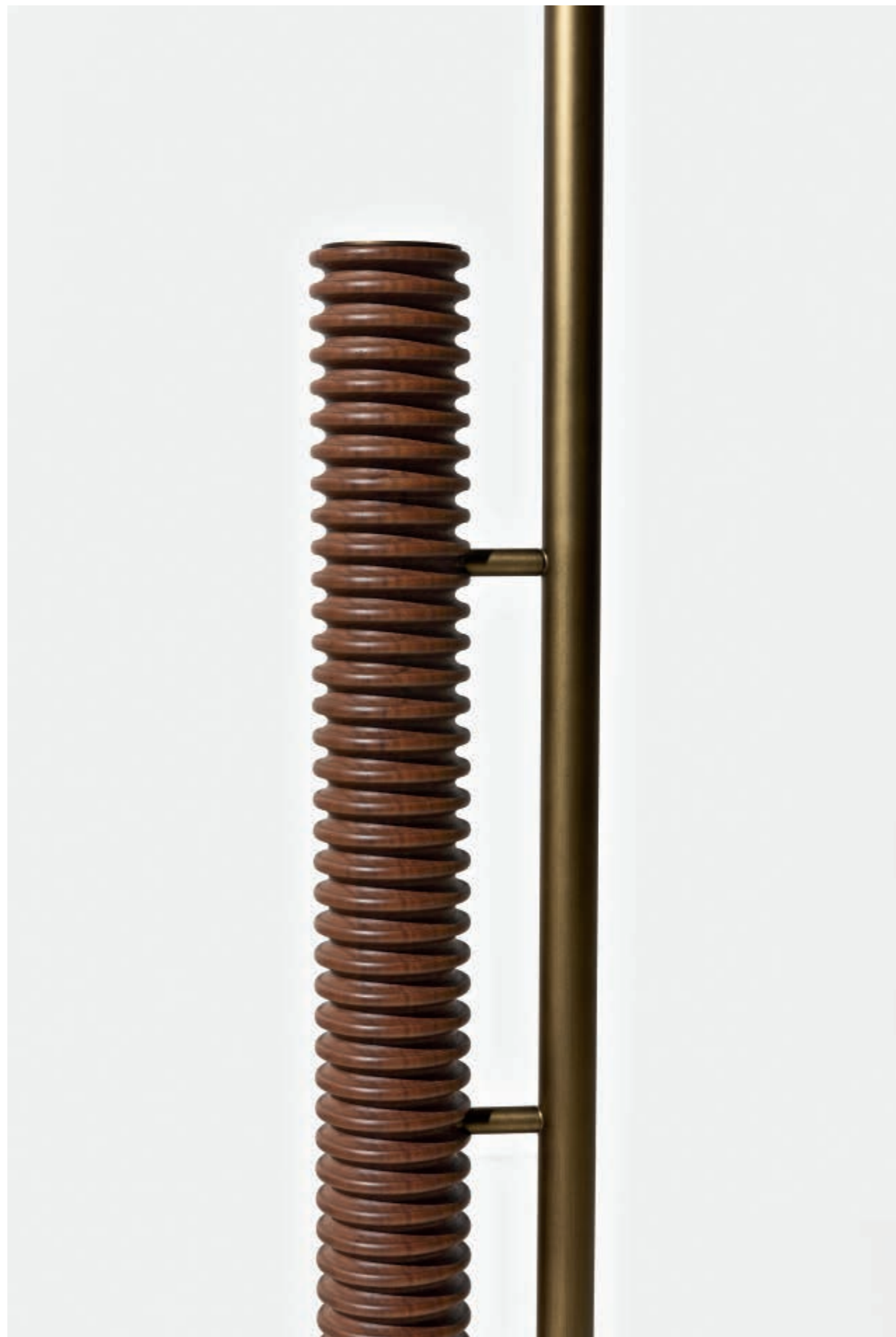
Base in bronze metal finish.
Diffuser in opaline glass. Integrated LED lighting.
Stem in walnut wood and bronze metal finish.

Technical Specifications

LED lighting:
12 W
3.000 K
220 / 230 V
IP 20

Dimmable lamp.





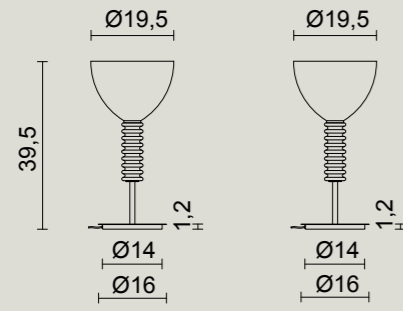
Antonina

TABLE LAMP / UP VERSION

design by Federico Peri



Technical data



Finishes



Bronze Metal



Walnut Wood



"Opaline"
Glass

Structure

Base in bronze metal finish.
Diffuser in opaline glass. Integrated LED lighting.
Stem in walnut wood and bronze metal finish.

Technical Specifications

LED lighting:
12 W
3.000 K
220 / 230 V
IP 20

Lamp prepared for dimmability.



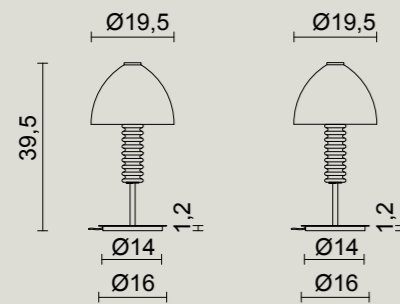
Antonina

TABLE LAMP / DOWN VERSION

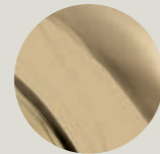
design by Federico Peri



Technical data



Finishes



Bronze Metal



Walnut Wood



"Opaline"
Glass

Structure

Base in bronze metal finish.
Diffuser in opaline glass. Integrated LED lighting.
Stem in walnut wood and bronze metal finish.

Technical Specifications

LED lighting:
12 W
3.000 K
220 / 230 V
IP 20

Lamp prepared for dimmability.



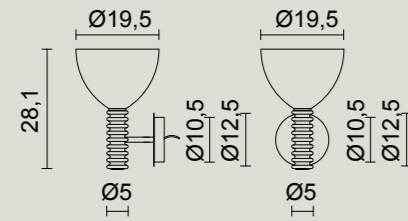


Antonina

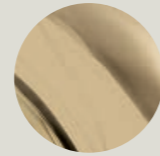
WALL LAMP
design by Federico Peri



Technical data



Finishes



Bronze Metal



Walnut Wood



"Opaline"
Glass

Structure

Wall fixed structure in bronze metal finish.
Diffuser in opaline glass. Integrated LED lighting.
Stem in walnut wood and bronze metal finish.

Technical Specifications

LED lighting:
12 W
3.000 K
220 / 230 V
IP 20

Lamp prepared for dimmability.





Antonina collection

floor read lamp



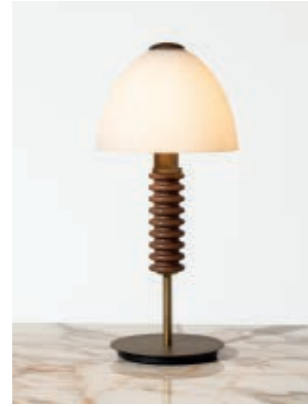
floor lamp



table lamp / up version



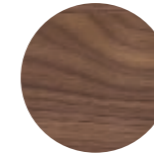
table lamp / down version



Finishes



Bronze Metal



Walnut



"Opaline" Glass

wall lamp



100% designed and made in Italy.
All Oasis products are protected by registered trademarks.



Oasis reserves the right to make all necessary modifications (in matters of colour, size and technical details) to its products in order to enhance their use and aesthetic value. Furthermore, it may suspend their production at any moment without notice. Such instances may not be subject to any claim on the part of the client. Oasisgroup declines all responsibility for any possible uncertainties arising from misprints in this catalogue.

**OASIS SRL**

Via Favola, 19
33070 Polcenigo (PN), Italy

T. +39 0434 654752
F. +39 0434 654850

www.oasisgroup.it
info@oasisgroup.it



www.oasisgroup.it